



---

---

---

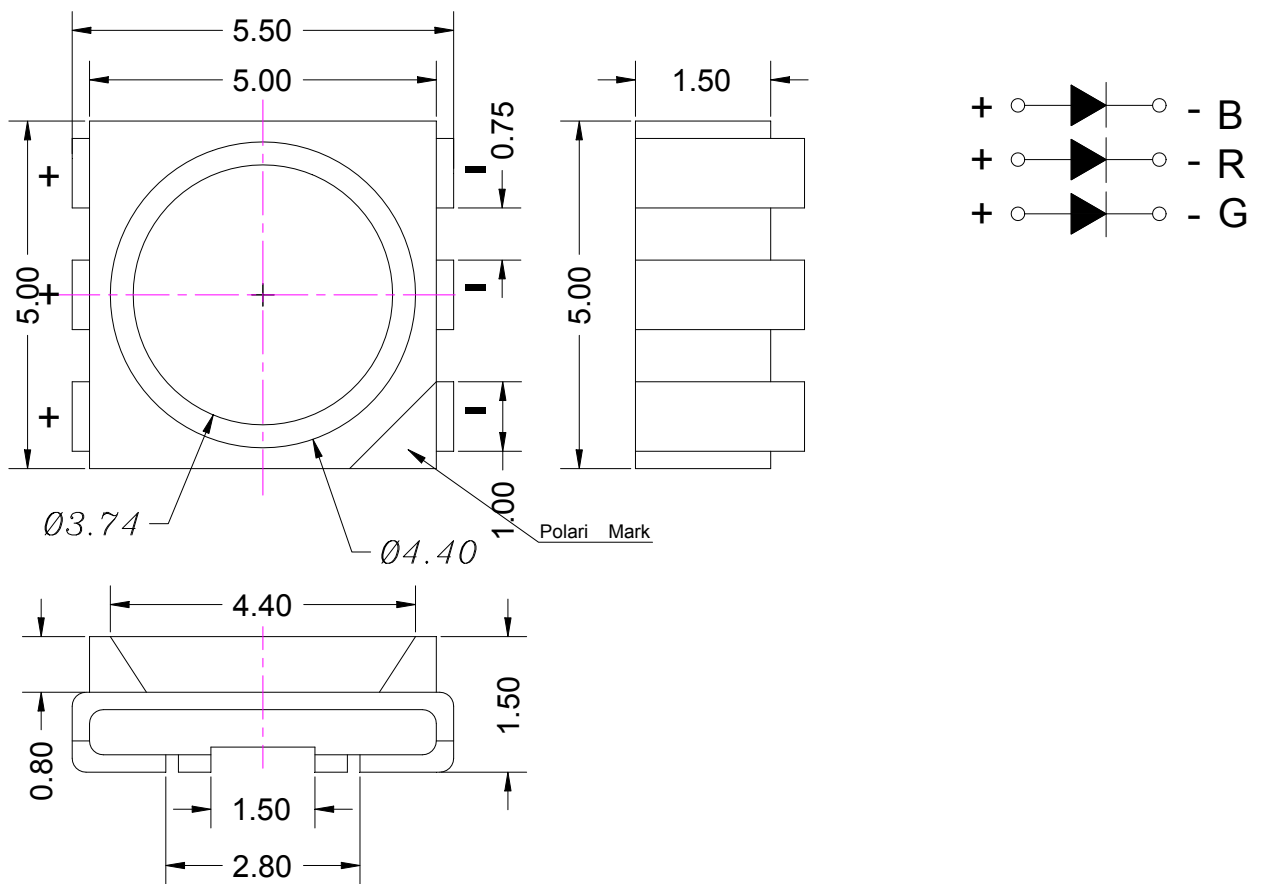
---

---

Wen Li	Fang Yang	Jiang Yang	Fang Wang




Tolerance: 0.25(0.01)



Uni mm

Color RGB

Len -color Wa er clear

Emi ing Ma erial InGaN

Dra ing b oli a ion



### 3 Characteristic

Forward current	If	30			mA	
Reverse voltage	Vr	5			V	
Power dissipation	Pd	110			mW	
Operating temperature range	Top	-25 +80			C	
Storage temperature range	Tg	-30 +80			C	
Peak pulsed current 1/8 d f=1KH	lfp	125			mA	
Wavelength peak emission (R)	If=20mA	peak	620	625	630	nm
Wavelength peak emission (G)			515	520	525	
Wavelength peak emission (B)			460	465	470	
Spectral half bandwidth	If=20mA			10		
Forward voltage (R)	If=20mA	Vf	1.8	2.0	2.4	V
Forward voltage (G)			3.0	3.3	3.6	
Forward voltage (B)			3.0	3.3	3.6	
Luminous intensity (R)	If=20mA	I	800	1000	1200	mcd
Luminous intensity (G)			3000	3500	4000	
Luminous intensity (B)			400	500	600	
Viewing angle at 50% IV	If=10mA		--	120	--	Deg
Reverse current	Vr=5V	Ir	--	--	5	A



U ef l life	-	IF=20mA	100000			H
-------------	---	---------	--------	--	--	---

Typical Electrical/Optical Characteristic Curve  
(Ta=25°C unless otherwise noted)

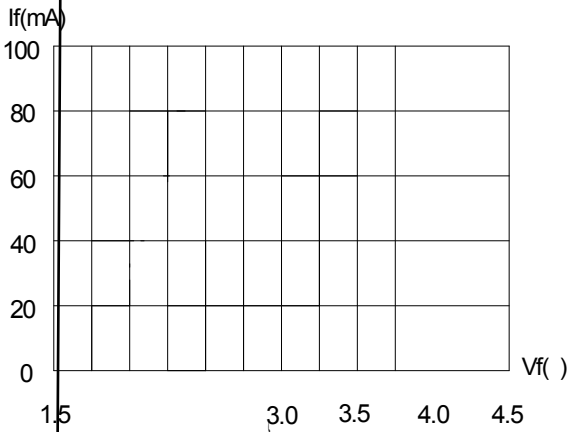


Fig.1 Forward Current vs Forward Voltage

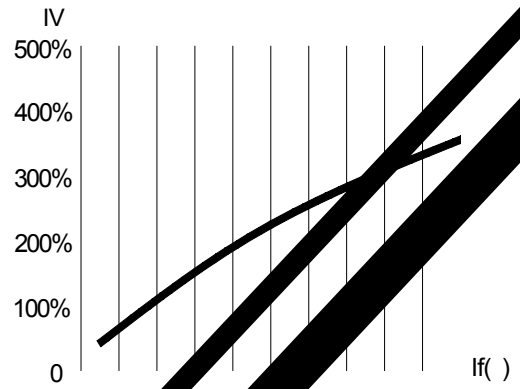
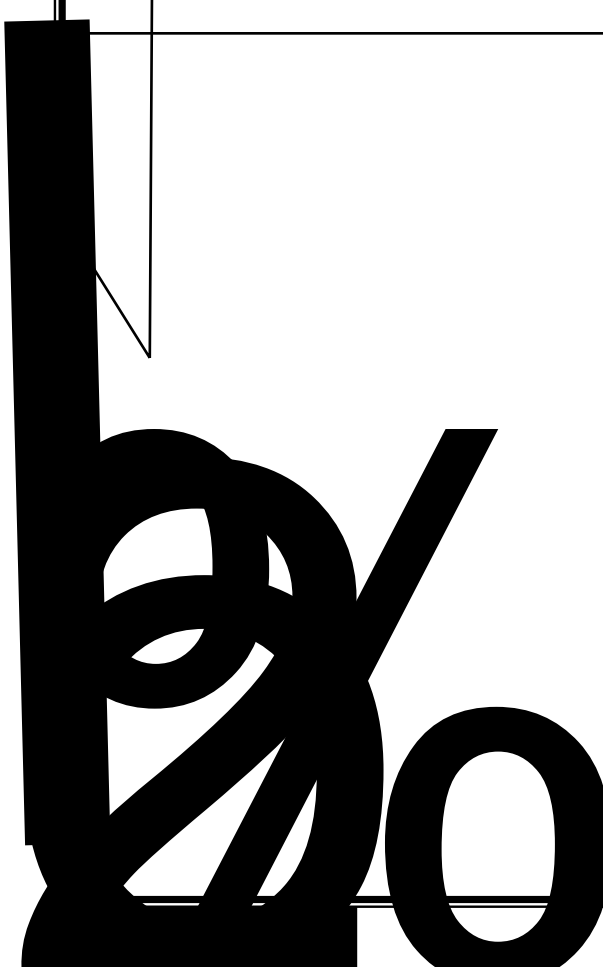


Fig.2 Relative Luminous Intensity vs Forward Current





U.S.

DEPARTMENT OF HEALTH AND HUMAN SERVICES

U.S. DEPARTMENT OF HEALTH AND HUMAN SERVICES

I

(

o%

i. In the event of a public health emergency, the Secretary may

m

ii.

iii.

iv.

v.

vi.

vii.

viii.

ix.

x.

xi.

xii.

xiii.

xiv.

xv.

xvi.

xvii.

xviii.

xix.

xx.

