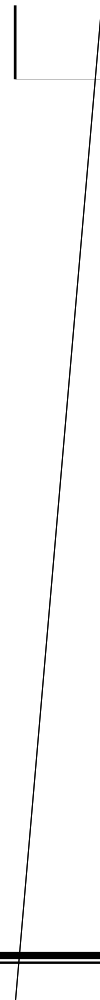
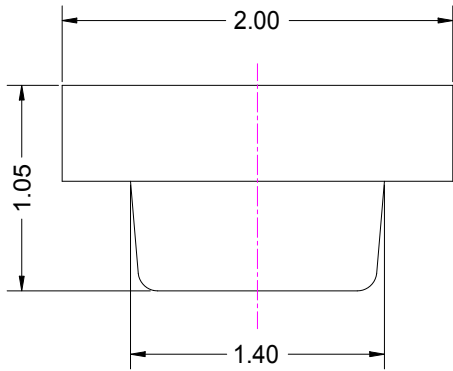
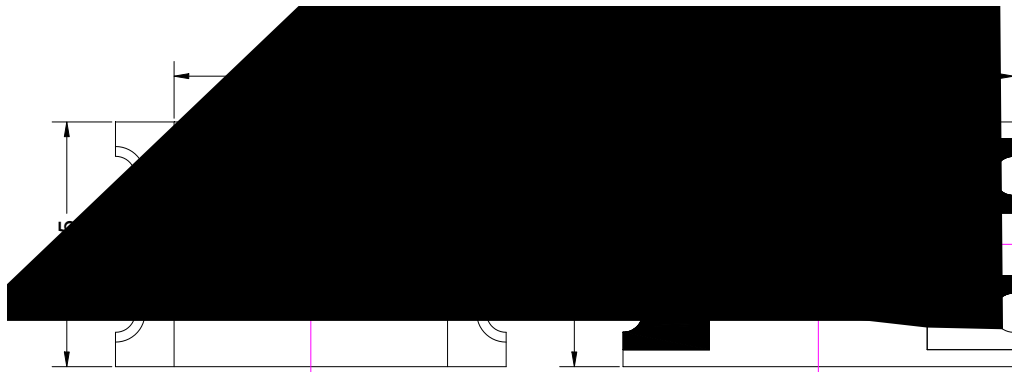




Wen Li	Fang Yang	Jiang Yang	Fang Wang



Tolerance: 0.25(0.01)





3 Characteristics

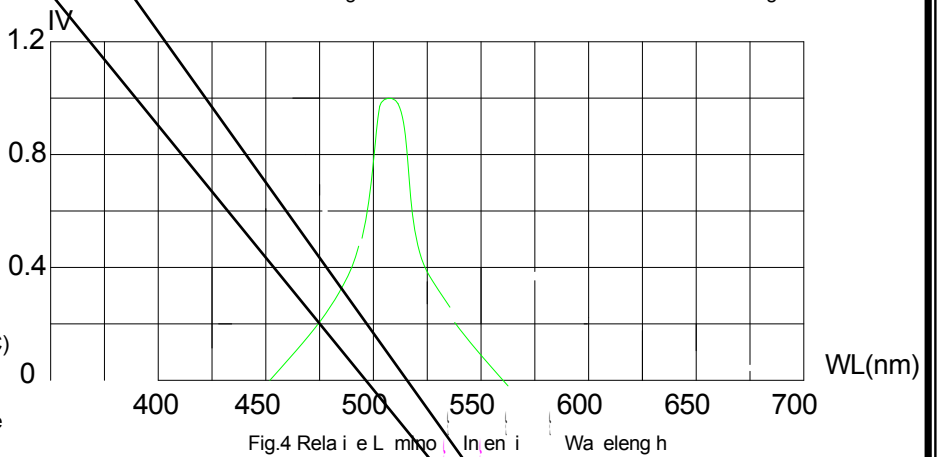
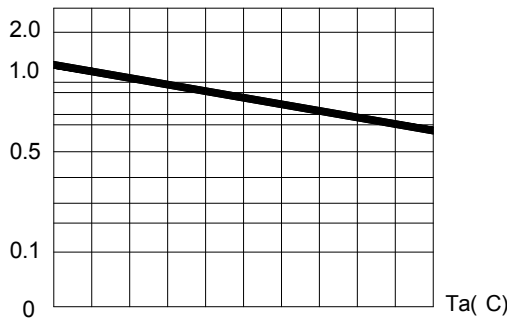
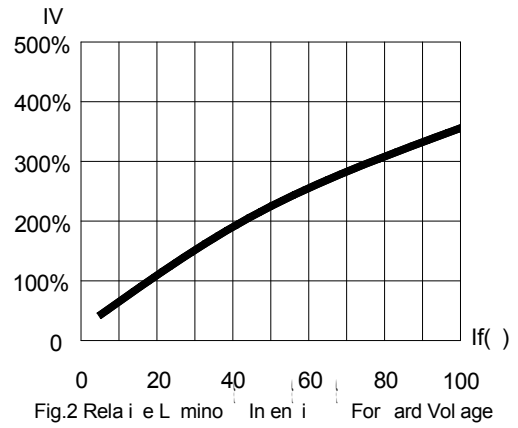
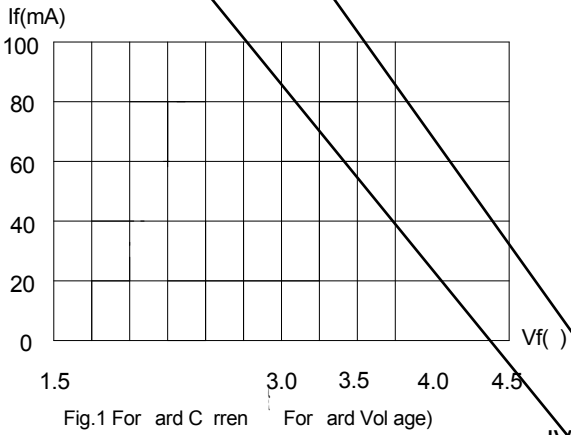
Forward current	If	30	mA
Reverse voltage	Vr	5	V
Power dissipation	Pd	110	mW
Operating temperature range	Top	-25 +80	C
Storage temperature range	Tg	-30 +80	C
Peak pulsed current 1/8 d f=1KH	Ifp	125	mA

Wavelength peak emission	If=20mA	peak	620	625	630	nm
			515	520	525	
			460	465	470	
Spectral half bandwidth	If=20mA			10		
			1.8	2.0	2.4	
Forward voltage	If=20mA	Vf	3.0	3.3	3.6	V
			3.0	3.3	3.6	
Luminous intensity	If=20mA	I	400	550	650	mcd
			800	1100	1300	
Viewing angle at 50% IV	If=10mA		200	250	350	Deg
			--	120	--	



Reverse Current	Vr=5V	Ir	--	--	5	A
Useful Life	-	IF=20mA	100000			H

Typical Electrical/Optical Characteristic Curve
(Ta=25 Unless Otherwise Noted)



Directional Characteristics

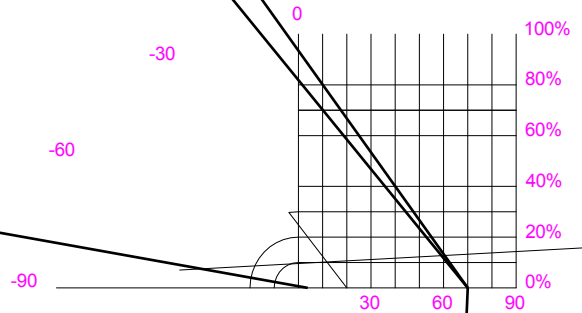


Fig.3 Relative Luminous Intensity vs Ambient Temperature

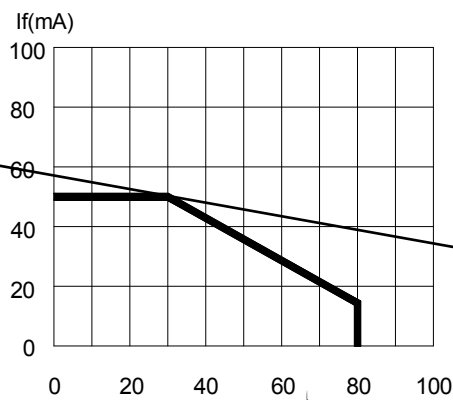
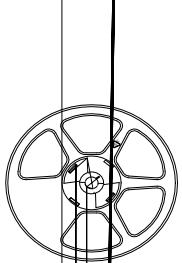
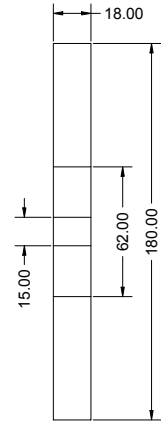
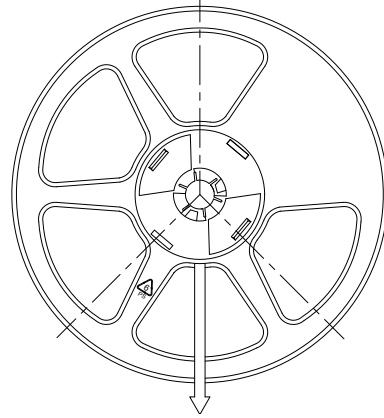
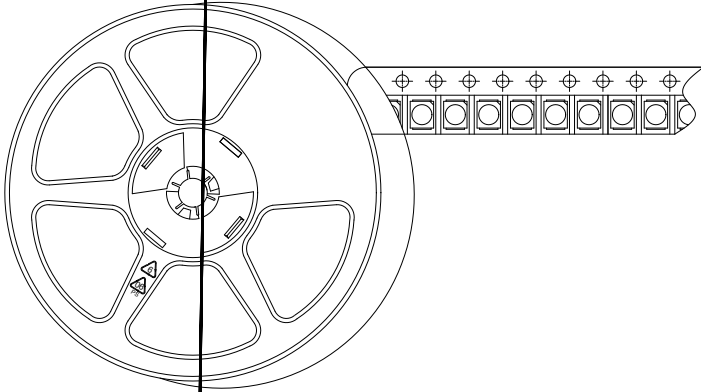


Fig.5 Maximum Forward Current vs Ambient Temperature



/



Diameter 180.0mm
Width: 18mm
SMD0805R 4000pc /Reel
Anti-static Shielding
Black Reel

Anti-static Shielding
1 Reel / Bag (T=0.1mm)

10 Bag / 1 Inner Box
SMD0805R
40,000pc /Inner Box